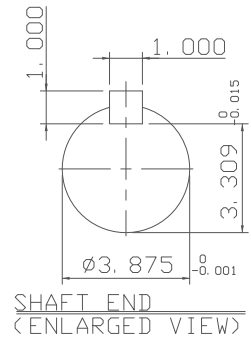
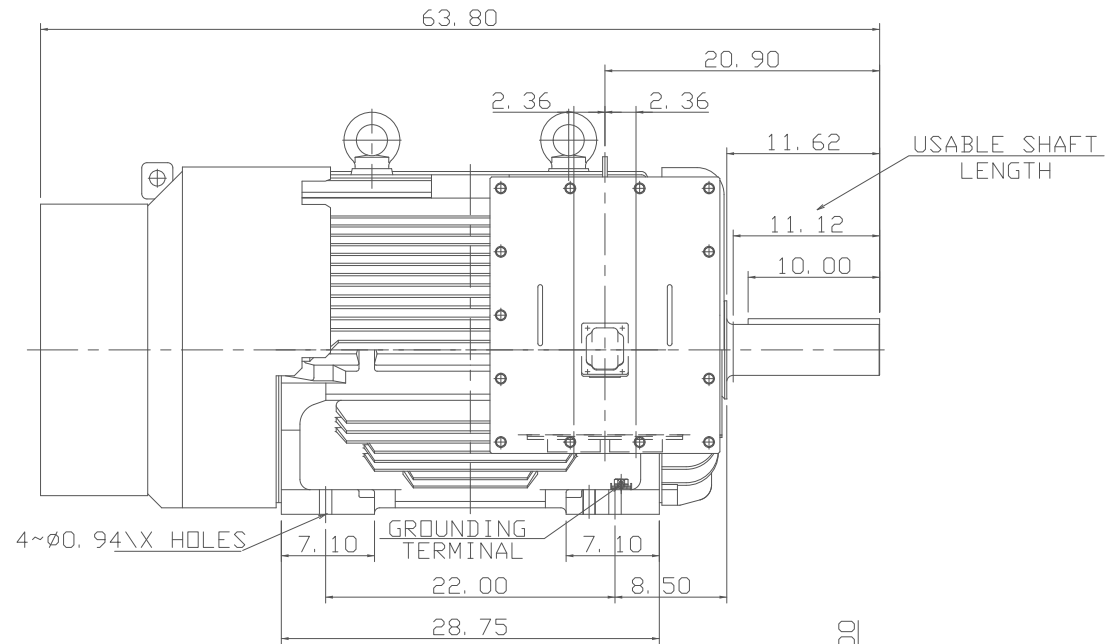
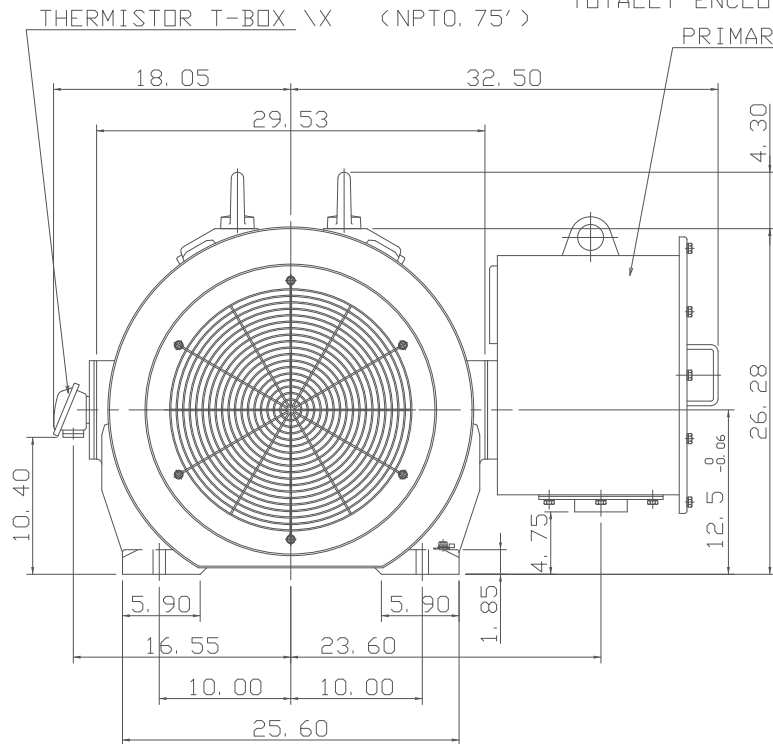


TYPE	OUTPUT		POLE	TIME RATING	VOLTAGE V	Hz	SYN. SPEED R. P. M
	HP.	kW.					
AEHH-GD	200	149.2	8	CONT.	460	60	900

TOTALLY ENCLOSED FAN-COOLED TYPE, SQUIRREL-CAGE ROTOR



NOTE:

1. DIMENSIONS IN inch
2. FRAME NO.5007C
3. F CLASS INSULATION, S. F. 1. 15
4. FOR BELT DRIVE
5. ENCLOSURE: IP55
6. BEARING SIZE: DRIVE-END NU324C3
OPP. DRIVE-END 6320
7. NON-SPARKING FAN
8. WITH THERMISTOR: PTC 140°C 3PCS
9. MOTOR APPROX. WEIGHT: 3455lb

DATE FEB. 01, 2018		OUTLINE DIMENSIONS	
CATALOG NO. : CDP2008R		3-PHASE INDUCTION MOTOR	
DWN.	J. WANG	MAR. 24. 2017	TEC Westinghouse
CHKD.	H. HUANG	MAR. 24. 2017	
APPD.	C. LIU	MAR. 24. 2017	
DWG NO.		REV: 01	
4B040T971		1/1	